

# Open implants

Implant components, evolved.

By dental technicians.



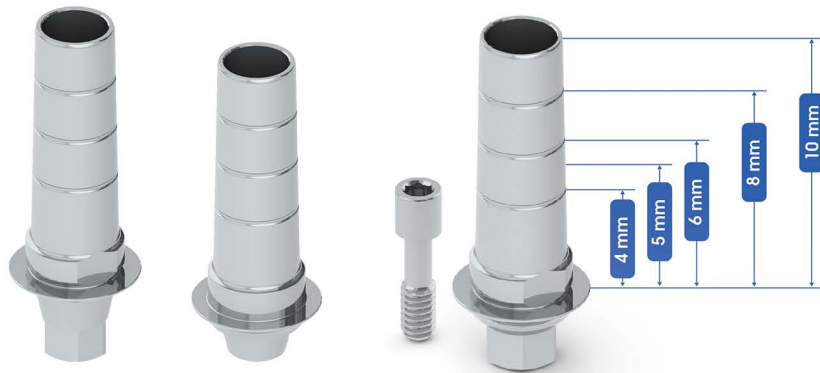
## Rise to new heights

- Maximize the height for the restoration (up to 8mm)
- Experience a more streamlined digital process
- Simplify your inventory and ordering needs

# Titanium Base Sets

Simply customizable. Simpler inventory.

Maximize the height for each restoration



## Gingival height options for various patient situations

- Customize the height of the Ti-base up to 8 or 10 mm
- Gingival height options for various patient situations
- For a streamlined workflow, use with OI scan bodies and library (files for each height, select in the order form)
- Engaging flat to ensure anti-rotation
- Cement groove for excess cement
- Set includes one screw
- Screw is compatible with implant manufacturer driver



Engaging for single units



Non-engaging for Bridges

# ASC Titanium Base Sets



## Preform a screw-retained restoration in almost any situation

- 4 custom chimney height options up to 8mm
- Angulation up to 30°
- Gingival height options for various patient situations
- Engaging flat to ensure anti-rotation
- Cement groove for excess cement
- Driver designed to work with our entire range of ASC platforms
- Set includes one screw



Engaging for single units



Non-engaging for Bridges

# Scan Bodies & Kits

Quality materials. Simply smart design.

Geometry engineered for accuracy & meshing of data

PEEK for scannability

Laser etched product code for easy identification

Durable stainless steel body resists wear

Titanium screw will not detach in the lab or in a patient's mouth

Seating can be confirmed with radiograph



One brilliantly designed analog for both 3D printed & stone models

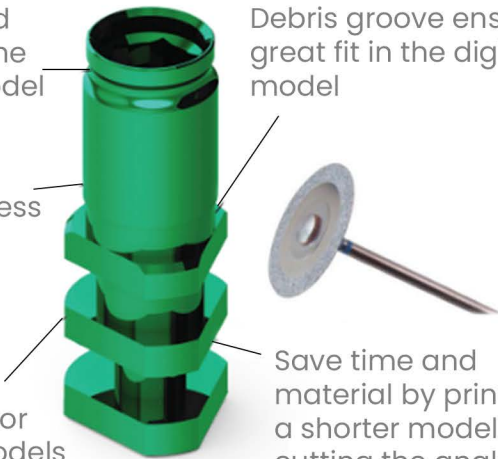
Specially designed "O-ring" to snap the gingival tissue model into place

Debris groove ensures great fit in the digital model

Durable materials (titanium or stainless steel) protect the interface from deformation

Groove design provides stability for digital or stone models

Save time and material by printing a shorter model and cutting the analog



# Multi Unit Components

Compatible with Nobel Biocare® Multi units

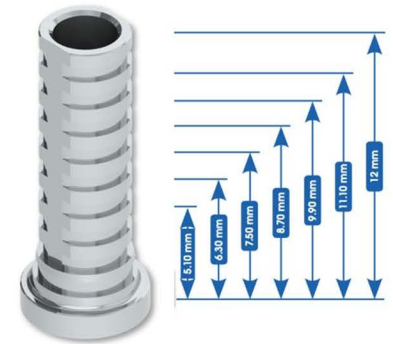
**Titanium Insert**

- Non-engaging
- Screw load is on the titanium insert



**Temporary Titanium Cylinder**

- Non-engaging
- Use digitally with the OI library
- Customize to various heights (matching library files for each height)



**Prosthetic Screw**

- Compatible with the manufacturer driver



**Multi Unit Scan Body**

Geometry engineered for accuracy & meshing of data

PEEK for scannability

Durable stainless steel body resists wear

Laser etched product code for easy identification

Secured titanium screw will not detach in the lab or in a patient's mouth



**Multi Unit Analog**

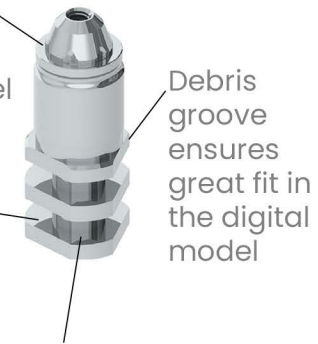
Specially designed "O-ring" to snap the gingival tissue model into place

Debris groove ensures great fit in the digital model

Groove design provides stability

Save time and material - print a shorter model and cut the analog

Durable stainless steel



# Implant Compatibility & OI Part #s

## Nobel Active®

Platform	3.5 NP	4.3/5.0 RP
ASC Titanium-Base Set (engaging)	GH 0.8, H 8 4867	GH 0.8, H 8 4868
	GH 1.8, H 8 5791	GH 1.8, H 8 5804
ASC Titanium-Base Set (non-engaging)	GH 0.8, H 8 4888	GH 0.8, H 8 4889
	GH 1.8, H 8 5803	GH 1.8, H 8 5805
Titanium-Base Set (engaging)	GH 0.8, H 10 3702	GH 0.5, H 10 3703
	GH 1.5, H 8 5815	GH 1.5, H 8 5817
	GH 3.0, H 8 5816	GH 3.0, H 8 5818
Titanium-Base Set (non-engaging)	GH 0.8, H 10 3731	GH 0.5, H 10 3732
	Screw	3758
Analog	3593	3594
Scan Body	3647	3648

**Key:**  
Titanium (Ti) Base Sets include a screw.  
GH = Gingival Height (mm)  
H = Chimney or Post Height (mm)

Libraries available at:  
[openimplants.com/downloads](http://openimplants.com/downloads)

## Straumann® Bone Level

Platform	3.3 NC	4.1/4.8 RC
ASC Titanium-Base Set (engaging)	GH 1.8, H 8 4872	GH 1.8, H 8 4873
ASC Titanium-Base Set (non-engaging)	GH 1.8, H 8 4893	GH 1.8, H 8 4894
Titanium-Base Set (engaging)	GH 0.9, H 10 3713	GH 1.0, H 10 3714
	GH 2.0 H 8 5821	GH 3.0, H 8 5823
	GH 3.0, H 8 5822	
Titanium-Base Set (non-engaging)	GH 0.8, H 10 3742	GH 0.8, H 10 3743
	Screw	3765
Analog	3604	3605
Scan Body	3656	3657

## Nobel® Replace

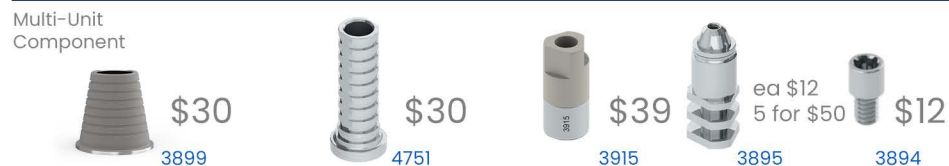
Platform	3.5 NP	4.3 RP	5.0 WP	6.0
Titanium-Base Set (engaging)	GH 0.8, H 10 3698	GH 0.5, H 10 3699	GH 0.5, H 10 3700	GH 0.5, H 10 3701
	GH 2.0, H 8 5819	GH 2.0, H 8 5820		
Titanium-Base Set (non-engaging)	GH 0.8, H 10 3727	GH 0.5, H 10 3728	GH 0.5, H 10 3729	GH 0.5, H 10 3730
	Screw	3756	3757	3757
Analog	3589	3590	3591	3592
Scan Body	3643	3644	3645	3646

## Biomet® 3i Certain

Platform	3.4	4.1	5.0
Titanium-Base Set (engaging)	GH 0.8, H 10 3707	GH 0.5, H 10 3708	GH 0.5, H 10 3709
	GH 1.5, H 8 5813	GH 1.5, H 8 5814	
Titanium-Base Set (non-engaging)	GH 0.8, H 10 3736	GH 0.5, H 10 3737	GH 0.5, H 10 3738
	Screw	3763	3763
Analog	3598	3599	3600
Scan Body	3652	3653	3653

## Nobel Biocare® Multi-Unit Compatible

### Titanium Insert Ti Temporary Cylinder Scan Body Analog Prosthetic Screw



# Implant Compatibility & OI Part #s

## Zimmer® Tapered Screw Vent

Platform	3.5	4.5	5.7
ASC Titanium-Base Set (engaging)	GH 1, H 8 4874	GH 08, H 8 4875	GH 1.8, H 8 4876
	GH 1.8, H 8 5790	GH 1.8, H 8 5785	
ASC Titanium-Base Set (non-engaging)	GH 1, H 8 4895	GH 0.8 H 8 4896	GH 1.8 H 8 4897
	GH 1.8, H 8 5806	GH 1.8, H 8 5787	
Titanium-Base Set (engaging)	GH 0.85, H 10 3718	GH 0.25, H10 3719	GH 0.25, H 10 3720
	GH 1.5, H 8 5824	GH 1.5, H 8 5826	
Titanium-Base Set (non-engaging)	GH 0.8, H 10 3747	GH 0.25 H 10 3748	GH 0.25 H 10 3749
Screw	3768	3768	3768
Analog	3611	3612	3613
Scan Body	3661	3662	3663

# Open Implants Milling Center

[Openimplants.com/portal](https://openimplants.com/portal)



Titanium Custom Abutments available for:

- 3i Certain
- Nobel Active
- Straumann BoneLevel
- Zimmer TSV

Never worry about quality, failures, or regulatory scrutiny.

Experience complete peace of mind with Open Implants' recognized and registered validated milling center.

\*\*\*\*\*  
QUALITY CUSTOMIZATIONS

Rigid design controls ensure high-quality customizations to surpass the highest regulatory standards.

\*\*\*\*\*  
CUTTING-EDGE CAD/CAM

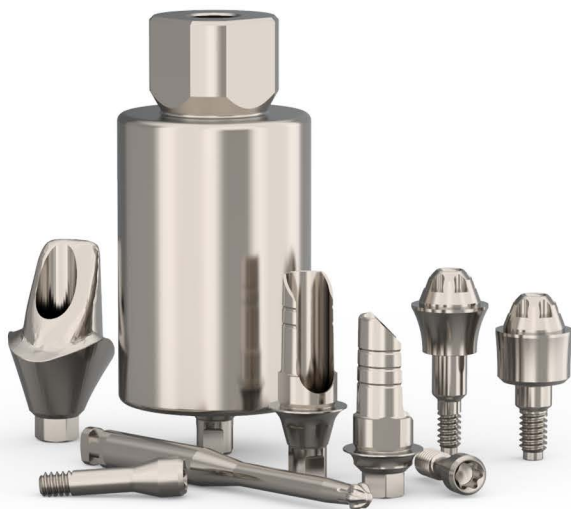
We leverage the greatest in dental technology and have partnered with award-winning CAD/CAM solution providers.

\*\*\*\*\*  
ZERO DEFICIENCIES.  
ZERO RECALLS.

OI has successfully navigated multiple regulatory audits with zero deficiencies and has never had a product recall.

# CAD/CAM Solutions

- Complete CAD/CAM options available for multiple milling solutions
- Proprietary CAM libraries built & supported with advanced nesting software
- CAD libraries for both 3Shape and exocad available



# Pre-Milled Titanium Blanks



## Indications and features

- For cases with unique anatomical considerations or irregularities
  - For achieving optimal esthetic results in anterior tooth restorations
  - When a customized emergence profile is necessary
  - Libraries available for 3Shape and exocad
- Available for both iMes iCore and Versa 5x milling machines
  - Screws are compatible with platform respective OEM drivers
  - Screw(s) included

## Milling Blank Part Numbers

### Nobel Active®

Platform	3.5 NP	4.3/5.0 RP
Reference Number	3673	3674

### Straumann® Bone Level

Platform	3.3 NC	4.1/4.8 RC
Reference Number	3682	

### Biomet® 3i Certain

Platform	3.4	4.1/5.0
Reference Number	3678	3679

### Zimmer® Tapered Screw Vent

Platform	3.5	4.5	5.7
Reference Number	3689	3690	3691

# Open Implants

Implant components, evolved.

By dental technicians.



Open Implants' founders, Fred Rapp, Bob Cohen, and Rob Nazzal, came together through their dedication to help dental laboratories. Find out how products, **designed by technicians for technicians** can help your Implant department improve workflow and reduce costs.

Call 1-888-800-8369  
[openimplants.com](http://openimplants.com)



Open Implants - 800 West Cummings Park, Ste 4900, Woburn, MA 01801