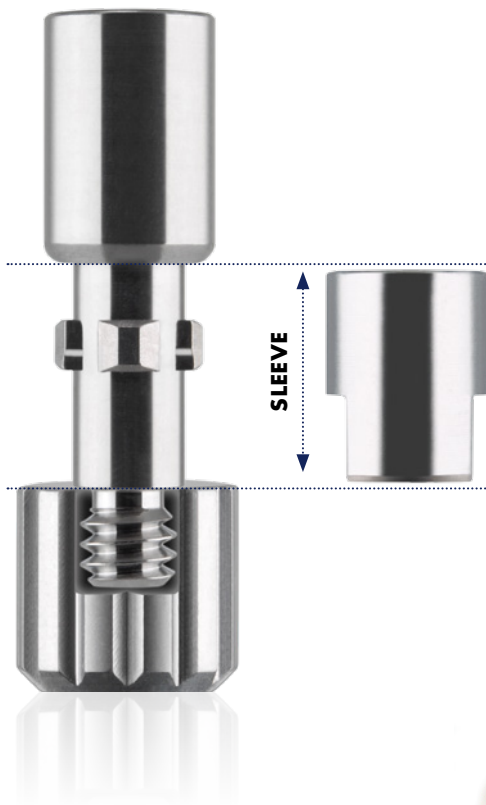


NT

DIM* ANALOG

*Digital Implant Model ANALOG | Available for 24 implant systems in the nt-IQ library



FEATURES:

- implant analog for digital model manufacturing in the model builder library
- two-piece repositionable implant analog
- precise positioning
- positional adjustment possible
- analog design supports precise repositioning of removable gingiva mask



APPLICATION:

- for model manufacturing in digital workflow



TECHNICAL DETAILS:

- Stainless Steel
- Titanium Grade 5 ELI



**INTERNATIONAL
PATENT PENDING**

